

Table S.A.M. Bois

Jean Prouvé, 1941

vitra.



During the years of 1941 and 1942, the Ateliers Jean Prouvé planned and executed a number of interior design projects for a chemical company in France. Numerous pieces of furniture were developed in connection with this commission, including a table made of wood that exemplifies Prouvé's construction methods: its structural details illustrate the interplay of forces and stresses – similar to the later design of the EM Table, whose metal legs distinguish it from its predecessor. Due to the scarcity of metal

during World War II, the “Table Salle à Manger Bois” was designed with wooden legs, leading to the name Table S.A.M. Bois.

The solid wood components of Table S.A.M. Bois give it a sense of ease and refinement, mitigating the technical coolness of its design.

Materials

- **Table top:** 30 mm thick; solid wood; oak, natural, oiled finish; oak, dark, hard-wax oil finish; or American walnut, natural, oiled finish.
- **Base:** legs matched to table top, solid wood in natural oak with oiled finish, dark stained oak with protective natural lacquer finish, or American walnut with oiled finish; tubular steel crossbar with powder-coated finish (smooth).
- **Origin of wood:** oak (*Quercus robur*) from Western Europe and/or Poland; American walnut (*Juglans nigra*) from the USA.

DIMENSIONS

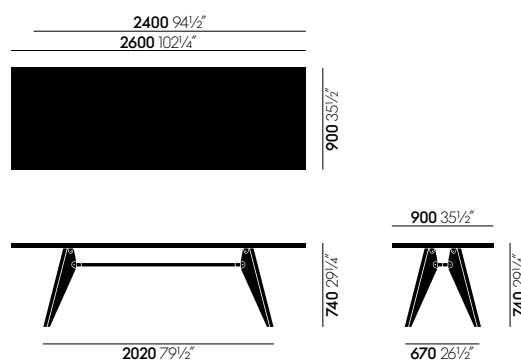
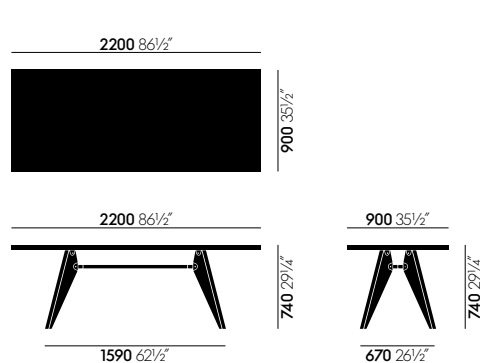
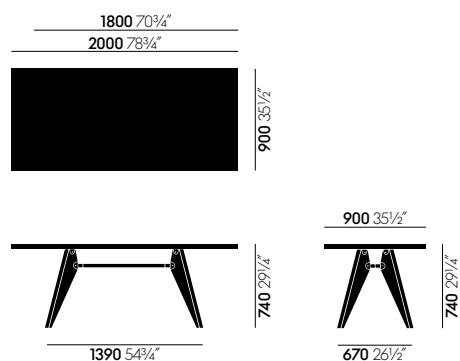


Table S.A.M. Bois

SURFACES AND COLOURS

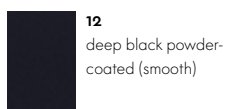
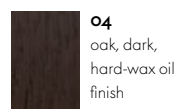
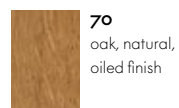


Table top and legs

Linking elements

