


# Framery Q

The soundproof meeting pod  
for 1-4 people

06/2023



Framery Q office pod is a multifunctional, soundproof space for 1-4 people. This pod is ideal for meetings, brainstorming sessions, and important one-on-one conversations in private without disturbing the office – or the office disturbing you. The pod's award-winning design takes a minimum amount of floorspace, fitting seamlessly into your office.

---

## Framery Q – The soundproof meeting pod for 1–4 people



### Framery Q Meeting Maggie

Suitable for meetings, brainstorming, gathering face-to-face, getting work done, and much more. Meeting Maggie comes with pleasant LED lighting and two power sockets. Two Maggie sofas with curved or straight backrest and a turnable table are always included.



### Framery Q Meeting Maggie Premium

This soundproof, hybrid meeting space can be used by 1–4 people, both in-person and online. A screen bracket and turnable monitor arm makes the layout ideal for videoconferencing, and adjustable lighting & ventilation makes the meeting experience even better. Two Maggie Sofas are always included, and you can choose between curved or straight backrest.



### Framery Q Flip n' Fold

The Framery Q Flip n' Fold is a convenient and flexible fully-accessible interior meeting space. Easily accessible with a wheelchair, the low doorstep, automatic door opener, and folding chairs and table enable many different meeting arrangements. Automatic air ventilation creates a fresh and comfortable working environment. The product is easy to assemble and relocate when necessary.



### Framery Q Flow

The Framery Q Flow interior layout is designed for uninterrupted heads-down work. It comes with an adjustable electric table that allows you to change your working position from sit-to-stand in a matter of seconds. The Flow has plenty of space inside for a chair and even an extra stool, making it possible to invite your colleague in for a chat or a shared video conference.

## Framery Q / Furniture



MAGGIE SOFAS are available with different backrest configurations and with or without armrests. Framery Q Meeting Maggie has two Maggie sofas.



TURNABLE TABLE allows something to be shown from a laptop and leaves room for entering and exiting the pod. Framery Q Meeting Maggie comes with a turnable table.



FOLDABLE SEATS AND TABLE for maximum accessibility. Four foldable seats are included in the Framery Q Flip n' Fold pod, together with a foldable table.

## Framery Q / Colors

### EXTERIOR



White (Standard)  
RAL 9016 Glossy



White  
RAL 9016 Ultramatt



Black  
RAL 9005 Ultramatt



Gray  
S7500-N Ultramatt



Navy  
S 7020 - R90B Ultramatt



Sand  
S 2010 - Y20R Ultramatt



Powder Blue  
3421-R86B Ultramatt



Winter Moss  
S 7010-G10Y Ultramatt



Blush  
2728-R01B Ultramatt

### INTERIOR



Light Gray Felt (Standard)

### CARPET



Light Gray (Standard)  
Ex-dono Quartet #393330  
Fletco Carpets

### FRAME



White (Standard)  
F6463 Formica



Black  
F2253 Formica

### TABLE



White (Standard)  
White laminate



Black  
Black Laminate with  
anti-fingerprint surface

### SEATING FABRIC



Maggie Gray (Standard)  
Canvas #154 Kvadrat



Grape  
Select #61190 Gabriel



Rose  
Select #65117 Gabriel



Green  
Selected #68209 Gabriel



Antimicrobial Highland  
Graphite 954 Panaz



Graphite  
Select #60051 Gabriel



Dark Blue  
Select #66144 Gabriel



Powder Blue  
Select #67098 Gabriel



Beige  
Select #61184 Gabriel



Mustard  
Select #62098 Gabriel

## Framery Q / Optional Functionalities



**SCREEN BRACKET** is in the center of the back glass and can be fitted with a maximum 27" display with VESA 75 X 75 or 100 X 100 mounting. Compatible with Framery Q Meeting Maggie. By having a screen bracket you can extend the use cases within the pod being able to use display for presentations / hybrid meetings. Option includes screen bracket, display acquired by the customer.



**TURNABLE MONITOR ARM** allows two users to sit on one side of a Framery, turn display towards them, and both be visible on a camera mounted on it. Compatible with Framery Q Meeting Maggie. Screen bracket is included when selecting turnable monitor arm as an option. Display and camera acquired by the customer.



**CONTROL PANEL** allows you to adjust ventilation and lighting inside the pod. Compatible with Framery Q Meeting Maggie and Flow. Control panel is a useful option as use cases within larger pods may vary. It is installed on doorwall frame. Option includes the control panel and required wires.



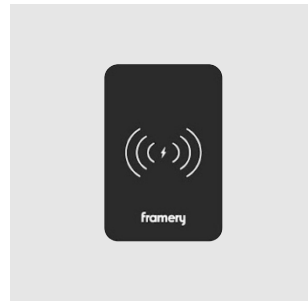
**BOOKING BRACKET** is a universal booking tablet bracket with a plywood surface attached to the door locking plate. Two sizes available to fit your device. Option includes the bracket and kit required for attachment. Customer acquires the booking tablet and cover for it which is mounted to the bracket. Bracket dimensions: Small 12 x 23 cm / 4.7 x 9.1 in. Large 22 x 30 cm / 8.7 x 11.8 in.



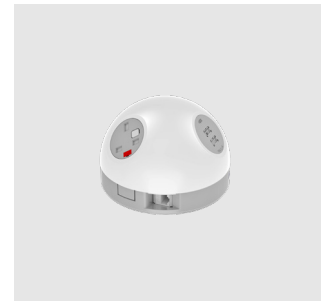
**MOVABILITY KIT** allows you to easily relocate your Framery Q without disassembly. Option includes eight castors and fasteners that can be installed to the bottom of the pod. Compatible with Framery Q Meeting Maggie and Flow.



**SELF-CLOSING HINGES** can be used to make sure the door is not blocking passageways. Available for both left-handed and right-handed door. Option includes set of black hinges for the door. Compatible with Framery Q Meeting Maggie and Flow.



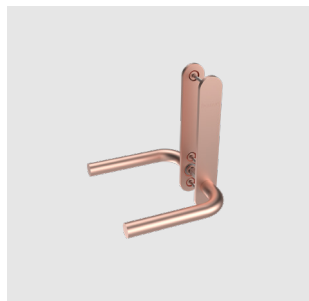
**WIRELESS CHARGER** allows you to charge your phone wire-free inside your pod. The charger itself is located underneath the table, with a sticker on top of the table indicating where to place your phone to get it charged. Option includes the charger, required wires and the sticker. Compatible for Framery Q Meeting Maggie.



**DATA CARTRIDGE FOR POWER OUTLET** Power outlet has two power and one USB (C+A) sockets as standard. Data cartridge is attached during installation to power outlet located underneath the table. Option includes a data cartridge with two LAN ports and two LAN cables. Compatible with Framery Q Meeting Maggie and Flow.



**SMART LOCK COMPATIBLE** is a kit of parts that allows selected smart locks and key locks to be installed in Framery Q. Option includes kit shown in picture. Smart lock itself is acquired by the customer. Compatible with Framery Q Meeting Maggie and Flow.



**COPPER-PLATED DOOR HANDLE** helps to prevent the spread of viruses. According to a study by Centers for Disease Control and Prevention (CDC), viruses disintegrate quicker after landing on copper surfaces than on plastic or stainless steel surfaces. Option includes copper-plated door handle. Compatible with Framery Q Meeting Maggie and Flow.



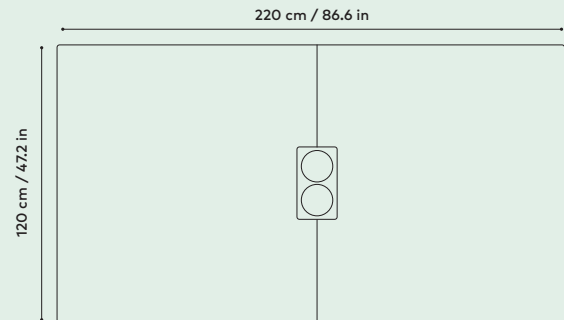
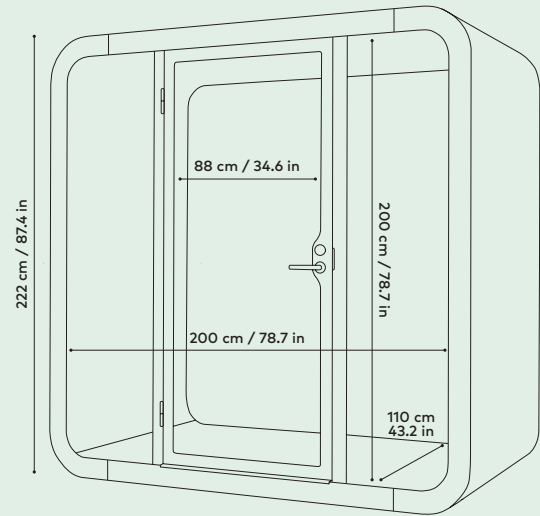
**ANTI-MICROBIAL POLYESTER FABRIC** is an anti-microbial, waterproof, bleach cleanable, stain resistant and durable polyester fabric. Our non-toxic material is safe and ISO 10993-5:2009 tested. Compatible with Framery Q Meeting Maggie.

# Framery Q

## TECHNICAL SPECIFICATIONS

Size	<b>EXTERIOR</b> 222 x 220 x 120 cm / 87.4 x 86.6 x 47.2 in (h,w,d). With castors (comes with movability kit) extra 2 cm / 0.8 in height.
Weight	630kg / 1389 lb (without furniture)
Ventilation Space	Min. recommended space for air to circulate: <ul style="list-style-type: none"> <li>• Sides: 5 cm / 1.9 in</li> <li>• Above: 15 cm / 5.9 in</li> </ul>
Acoustics	29 dB (Speech level reduction according to ISO 23351-1 testing method)
Airflow	Total airflow is 66 l/s, 140 CFM (237.6 m <sup>3</sup> /h). On standby mode the fans are working on 25 % of the maximum power.
Lighting	LED-Light 4000K and 300lux
Exterior materials	<b>EXTERIOR</b> Painted sheet metal. <b>GLASS</b> Sound control laminated glass 5 + 5 mm / 0.2 + 0.2 in. <b>FRAME</b> Formica laminate on birch plywood with varnish trim.
Interior materials	<b>SOLID WALLS AND ROOF</b> A sandwich element of sheet metal, birch plywood, recycled acoustic foam and acoustic felt. <b>FLOOR</b> An anti-static and stain resistant low loop pile carpet. <b>TABLE</b> White Formica laminate on birch plywood with varnish trim.
	Power cord can be led out of the bottom corner of the pod. The cord length outside the pods is 4.5 m / 176.4 in.

## DIMENSIONS



Framery Q is  
UL GREENGUARD certified



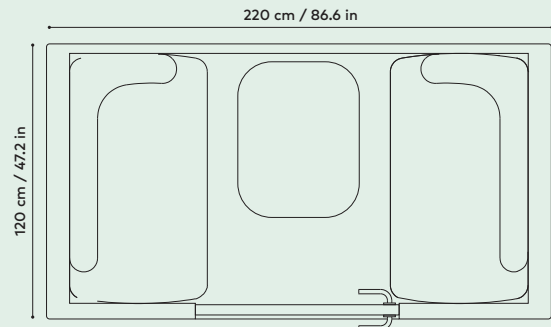
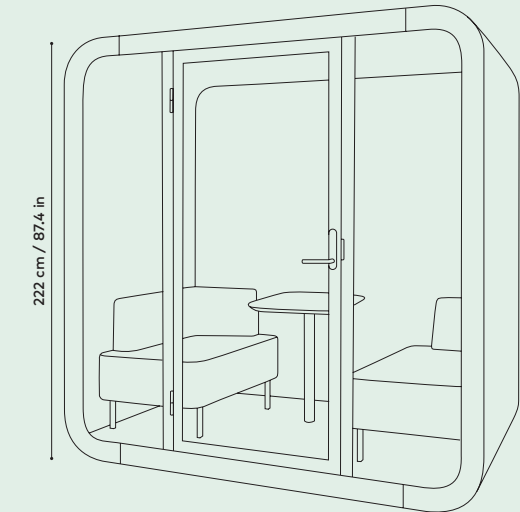
Framery Q shipped in North  
America is UL 962 listed

# Framery Q Meeting Maggie

## TECHNICAL SPECIFICATIONS

Size	<b>EXTERIOR</b> 222 × 220 × 120 cm / 87.4 × 86.6 × 47.2 in (h,w,d). <b>INTERIOR</b> 200 × 200 × 110 cm / 78.7 × 78.7 × 43.2 in (h, w, d). <b>DOORWAY</b> 200 × 88 cm / 78.7 × 34.6 in (h, w).
Lighting	Led light 4000 K and 300 lux.
Ventilation space	Min. recommended space for air to circulate: <ul style="list-style-type: none"><li>• Sides 5 cm / 1.9 in.</li><li>• Above 15 cm / 5.9 in.</li></ul>
Power consumption	<b>WHILE IN USE</b> 20 W on standard configuration.  Standard configuration: <ul style="list-style-type: none"><li>• LED lights: 11 W.</li><li>• Fans in total: 8.6 W.</li></ul> <b>STANDBY MODE</b> 2.1 W. Input 100–240 VAC, 8.0 A, 50–60 Hz.
Regular table outlets	2 power sockets USB-A+C. Optional Data Cartridge with two LAN ports.
Turnable Table	70 cm × 71 cm × 53 cm (height, width, depth) 26.4 in × 27.6 in × 20.4 in (height, width, depth).
Sofa Options	Maggie sofas are available with straight backrest (standard) or backrest with armrest. Optional fabrics are available including anti-microbial fabric.
Output values	Output AC (power socket) 100–240VAC, 6.6A, 50–60 Hz. Output USB (TUF) charging: Maximum combined output of 5 A at 5VDC (25 W).
Screen	Maximum display size 27". Maximum weight 15 kg / 33 lbs with flat VESA 75 × 75 or VESA 100 × 100 mounting surface. Screen not included.  Power cord can be led out of the bottom corners of the pod. The cord length outside the pods is 4.5 m / 176.4 in.  All electric components can be changed if there is a malfunction. Power consumption is a constant value that is determined by the power usage of the pods' internal components (electric unit, motion detector, light and fans). Framery's products can be plugged into a wall socket. The pods have their own power supplies that give 24 V DC to the lights and 12 V DC to the fans. The lights and fans are operated by a motion detector. Inside the pods, there are country-specific power outlets for charging mobile devices.

## DIMENSIONS



# Framery Q Flow

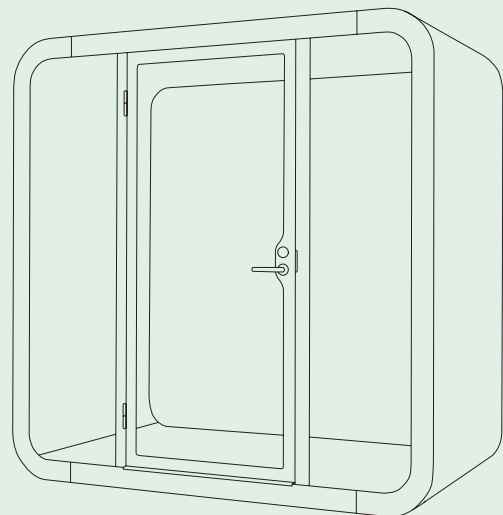
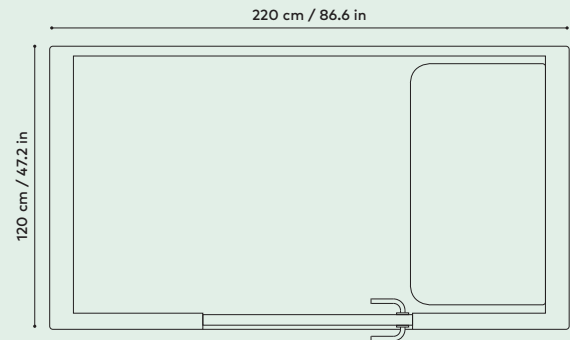
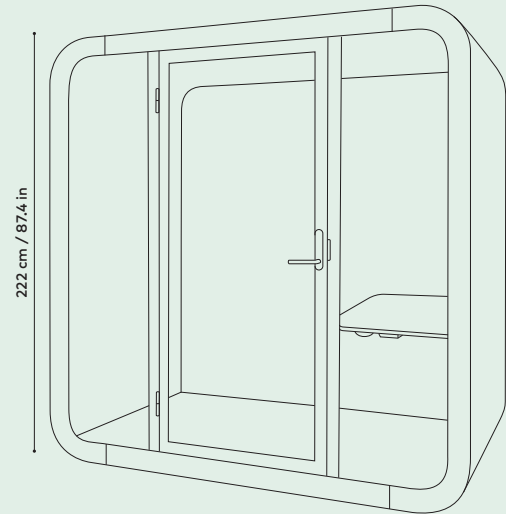
## TECHNICAL SPECIFICATIONS

Size	<b>EXTERIOR</b> 222 × 220 × 120 cm / 87.4 × 86.6 × 47.2 in (h,w,d). <b>INTERIOR</b> 200 × 200 × 110 cm / 78.7 × 78.7 × 43.2 in (h, w, d). <b>DOORWAY</b> 200 × 88 cm / 78.7 × 34.6 in (h, w).
Lighting	Led light 4000K and 300 lux.
Ventilation space	Min. recommended space for air to circulate: <ul style="list-style-type: none"><li>• Sides: 5 cm / 1.9 in.</li><li>• Above: 15 cm / 5.9 in.</li></ul>
Power consumption	<b>WHILE IN USE</b> 20W on standard configuration.  Standard configuration: <ul style="list-style-type: none"><li>• LED lights: 11 W.</li><li>• Fans in total: 8.6 W.</li></ul> <b>STANDBY MODE</b> 2.1 W. Input 100–240 VAC, 8.0 A, 50–60 Hz.
Regular table outlets	2 power sockets, USB-A+C Optional Data cartridge with two LAN ports
Output values	Output AC (power socket) 100–240VAC, 6.6A, 50–60 Hz. Output USB (TUF) charging Maximum combined output of 5 A at 5 VDC (25W).
Table	100 × 56 cm / 39.4 × 22 in (w, d) 65–125 cm / 25.6–49.2 in (h) Weight limit: 60 kg / 2.2 lb

Power cord can be led out of the bottom corners of the pod. The cord length outside the pods is 4.5 m / 176.4 in.

All electric components can be changed if there is a malfunction. Power consumption is a constant value that is determined by the power usage of the pods' internal components (electric unit, motion detector, light and fans). Framery's products can be plugged into a wall socket. The pods have their own power supplies that give 24 V DC to the lights and 12 V DC to the fans. The lights and fans are operated by a motion detector. Inside the pods, there are country-specific power outlets for charging mobile devices.

## DIMENSIONS





# Framery Q Flip n' Fold

## TECHNICAL SPECIFICATIONS

Size	<b>EXTERIOR</b> 222 × 220 × 120 cm / 87.4 × 86.6 × 47.2 in (h, w,d). <b>INTERIOR</b> 210 × 200 × 110 / 81.6 × 78.7 × 43.2 in (h, w,d). <b>DOORWAY</b> Clear opening width 91.5 cm / 36 in.
Weight	700 kg / 1543 lb.
Lighting	Led light 4000K and 300 lux.
Ventilation space	Min. recommended space for air to circulate: <ul style="list-style-type: none"><li>• Sides: 5 cm / 1.9 in.</li><li>• Above: 15 cm / 5.9 in.</li></ul>
Power consumption	<b>WHILE IN USE</b> 23 W on standard configuration.  Standard configuration: <ul style="list-style-type: none"><li>• LED lights: 13.5W.</li><li>• Fans in total: 8.6W.</li></ul> <b>STANDBY MODE</b> 2.1W. Input 100–240 VAC, 8.0 A, 50–60 Hz.
Regular outlets	2 power sockets USB-A+C.
Seat	Black Plywood, black fabric. Wall mounted foldable seats.
Foldable table	73 × 70 cm / 28.7 × 27.5 in (w, d). Table height 72cm / 28.3 in.
Wheelchair platform	99 × 60 cm / 39 in × 22.8 in (w, d). Framery Q Flip n' Fold features ADA 2010 compliant T-shaped turning space and threshold.
Output values	Output AC (power socket) 100–240VAC, 6.6A, 50–60 Hz. Output USB (TUF) charging: Maximum combined output of 5 A at 5 VDC (25 W).
Door	Left handed, minimum clear opening width 91.5 cm / 36 in. Automatic door opener button (height 105 cm / 41.3 in).

Power cord can be led out of the bottom corners of the pod. The cord length outside the pods is 4.5 m / 176.4 in.

All electric components can be changed if there is a malfunction. Power consumption is a constant value that is determined by the power usage of the pods' internal components (electric unit, motion detector, light and fans). Framery's products can be plugged into a wall socket. The pods have their own power supplies that give 24 V DC to the lights and 12 V DC to the fans. The lights and fans are operated by a motion detector. Inside the pods, there are country-specific power outlets for charging mobile devices.

## DIMENSIONS

