

# Table Solvay

Jean Prouvé, 1941

**vitra.**



During the years of 1941 and 1942, the Ateliers Jean Prouvé planned and executed a number of interior design projects for the Solvay chemical company. Numerous pieces of furniture were developed in connection with this commission, including a table made of wood that exemplifies Prouvé's construction methods: its structural details illustrate the interplay of forces and stresses – similar to the later design of the EM Table, whose metal legs distinguish it from its predecessor. Due to the scarcity of metal

during World War II, Table Solvay was designed and constructed with wooden legs.

The solid wood components of Table Solvay give it a sense of ease and refinement, mitigating the technical coolness of its design.

## Materials

- **Table top:** 34 mm thick; solid wood in natural oak with oiled finish, dark stained oak with protective natural lacquer finish, or American walnut with oiled finish.
- **Base:** legs matched to table top, solid wood in natural oak with oiled finish, dark stained oak with protective natural lacquer finish, or American walnut with oiled finish; tubular steel crossbar with powder-coated finish (smooth).
- **Origin of wood:** oak (*Quercus robur*) from Western Europe and/or Poland; American walnut (*Juglans nigra*) from the USA.

**DIMENSIONS**

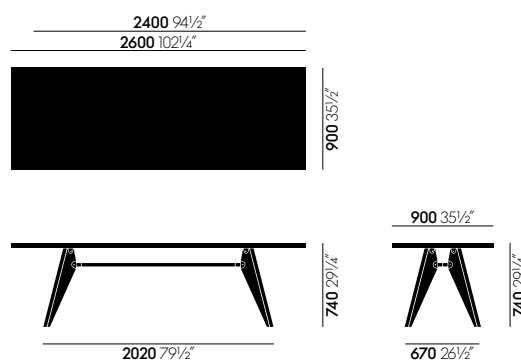
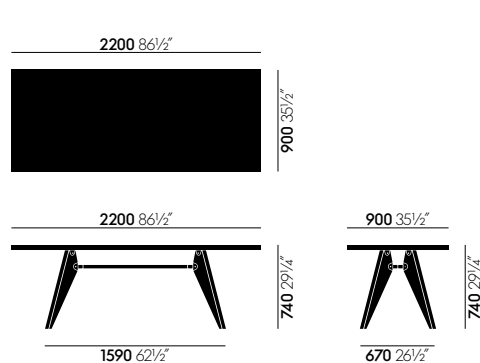
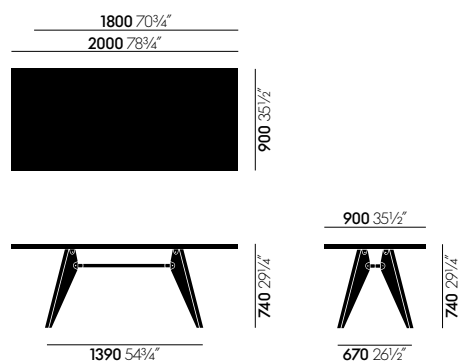


Table Solvay

**SURFACES AND COLOURS**

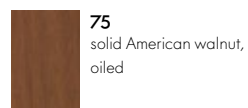


Table top and legs

Linking elements

